

NOTES:

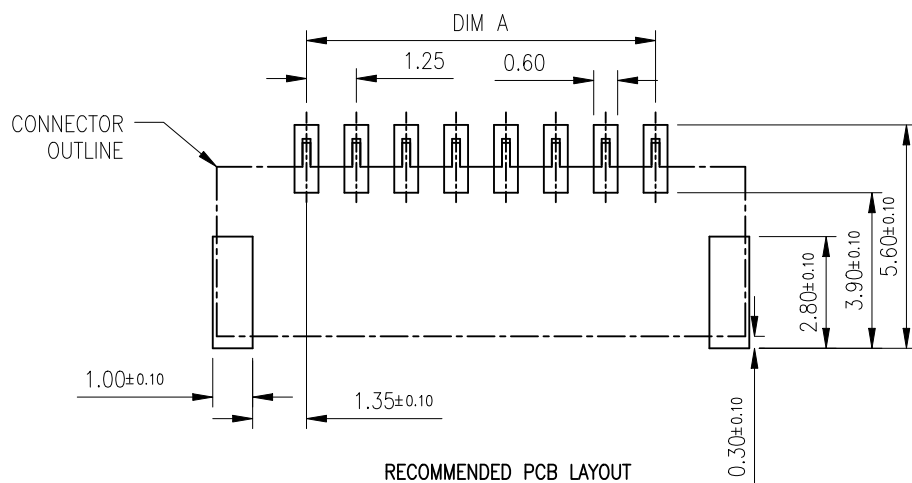
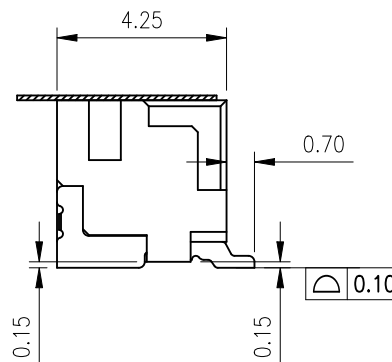
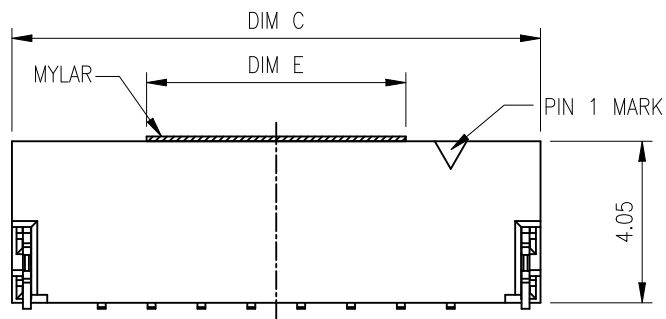
- MATERIAL:
 - HOUSING: THERMOPLASTIC, HIGH TEMP.,UL94V-0
 - CONTACT: COPPER ALLOY
 - FITTING NAIL: COPPER ALLOY
- FINISH:
 - CONTACT: 50u" MIN. NICKEL UNDERPLATING OVERALL.
N:80~150u" MATT TIN PLATING ON CONTACT AND SOLDER AREA
2:GOLD FLASH ON CONTACT AND SOLDER AREA
 - FITTING NAIL: 50u" MIN. NICKEL UNDERPLATING OVERALL.
N:80u" MIN. MATTE TIN PLATING
- REFLOW SOLDER CAPABLE TO 260°C
PER ACES SPEC.
- SPEC. PLS. REFER TO PS-51451-XXXX-XXX
- PACKAGE PLS. REFER TO 51468-XXXX-XX-TRP.
- PART NUMBER

51468-XXX X X-XXX

CKTS
PACKAGING
4:TAPE&REEL WITH MYLAR

XXX	LOGO	COLOR	MATERIAL	PACKING
001	ACES	NATURAL	LCP	51468-XXXXX-XX-TRP
002	ACES	BLACK	LCP	51468-XXXXX-XX-TRP
003	ACES	NATURAL	LCP	51468-XXXXX-U-TRP

PLATING
N: MATT TIN
2: GOLD FLASH



RECOMMENDED PCB LAYOUT
GENERAL TOLERANCE ±0.05

CKTS	DIM A	DIM B	DIM C	DIM E
2	1.25	3.75	5.75	5.00
3	2.50	5.00	7.00	
4	3.75	6.25	8.25	
5	5.00	7.50	9.50	6.50
6	6.25	8.75	10.75	
7	7.50	10.00	12.00	
8	8.75	11.25	13.25	
9	10.00	12.50	14.50	
10	11.25	13.75	15.75	
11	12.50	15.00	17.00	
12	13.75	16.25	18.25	
13	15.00	17.50	19.50	
14	16.25	18.75	20.75	
15	17.50	20.00	22.00	

QUALITY SYMBOLS MAJOR (M) CRITICAL (C)	DRAWN BY Wan.Bo	DATE 23/11/23	
	CHECKED BY XuZhiYong	DATE 23/11/23	
GENERAL TOLERANCES (UNLESS SPECIFIED) .X ±0.5 .X ±0.25 .XX ±0.15 .XXX ±0.1 ANGLES ±2°	APPROVED BY XuZhiYong	DATE 23/11/23	SIZE A4
	UNITS mm	SCALE 1:1	SHEET NO. 1 OF 1
			DWG NO. 51468-XXXXX-XXX